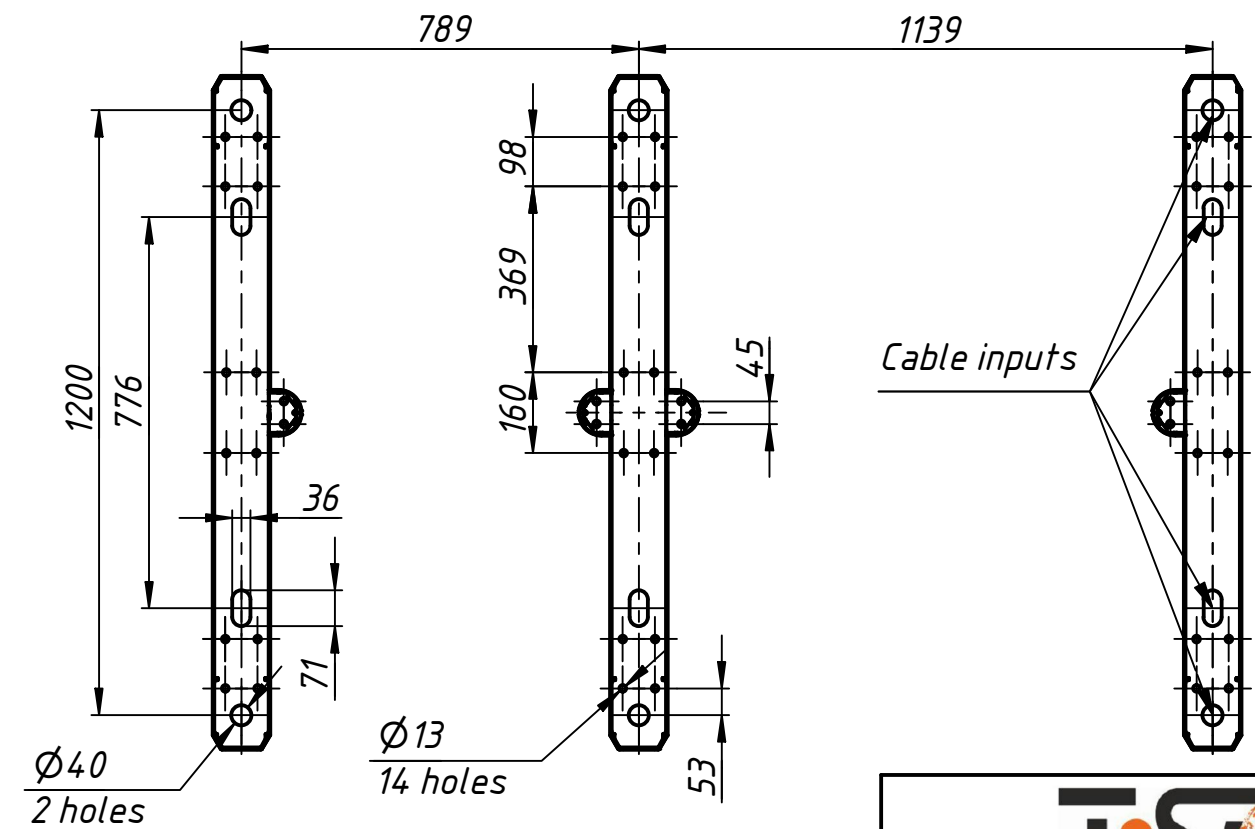
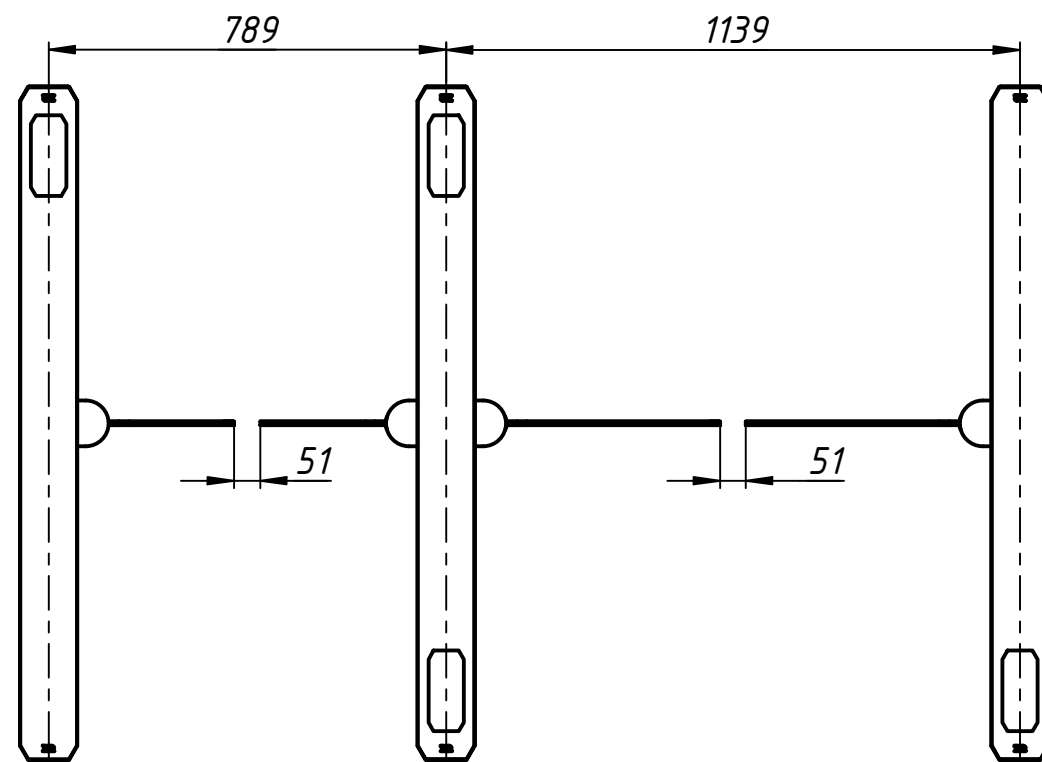


Installation tamplate



Cable inputs



*Speed gates
Sweeper-S-HG
550+900*

www.tiso.global