

STAR-TS

Star-TS is a half height turnstile with metal tubular leaves.

Elegant design makes it suitable for installation at entrances with the requirements of sophisticated product appearance. The range of modifications includes three and four leaves types as well as different type of metal finishing. Indoor application by default.



STYLISH & PRACTICAL SOLUTION FOR SAFE AND SECURITY

563
mm
PASSAGE WIDTH

20
pers/min
SINGLE ACCESS

60
pers/min
FREE ACCESS

2,5_c
OPENING TIME

IP 41-54*
PROTECTIVE LEVEL

↑↓
BI-DIRECTIONAL

Key advantages

- Steel tubular leaves made of stainless steel that provides a high degree of resistance to vandalism
- Low noise system operation
- Successful combination of affordable price and high quality
- Customized surface finish
- Steadfast housing suitable for high traffic areas
- Low noise system operation
- Can be integrated with any type of access control systems
- Wired remote control panel is in a standard kit
- In case of power failure, gates could be opened manually (fail-safe)

Standard

- Wired remote control panel
- Side enclosures

Options

- Any access control systems upon request (e.g. passage counter, RFID/Proximity/BioMetric readers, coin acceptor, push button, barcode and QR-code reader)
- OEM / logo application
- Post with card collector/card reader
- Sound alarm
- Ramped base mobile platform
- Weather pack - IP 54
- Wireless remote control panel

Technical Specifications:

Model	Star-TS
Width	1350 mm
Length	1441 mm
Height	1050 mm
Passage width	563 mm
Barrier type	U-shaped metal leaf
Mechanism	servo-driven (motorized)
MCBF	5 000 000 cycles

Controlled by:



access control system;

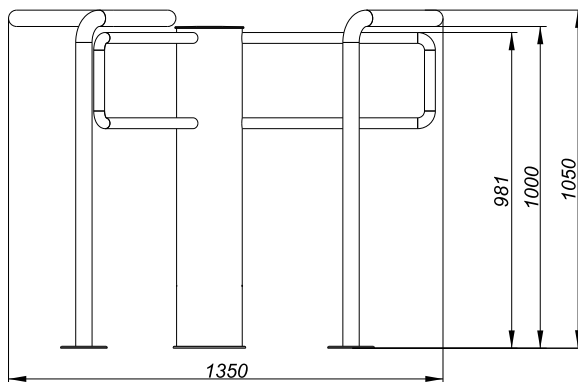


manual control

When power goes OFF both directions are free.

Electrical Specifications:

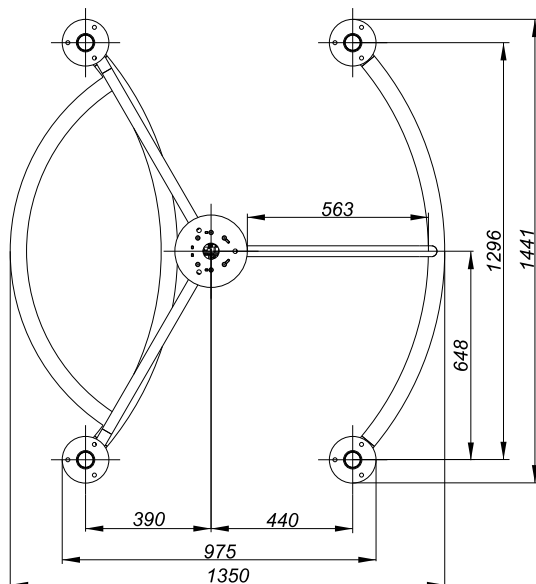
- Voltage:
 - from the AC (100-240)V, 50/60Hz;
 - from a DC source 12 V;
- Maximum power consumption 55W per pass



Materials:

Standard housing	Brushed SS AISI 304
Available housing	- Brushed SS AISI 316
	- Polished SS AISI 304
	- Polished SS AISI 316
	- Powder coated RAL

Installation template



Recommended installation areas:

- Governmental Institutions
- Nuclear Power Plants
- Production sites (Industrial Plants)
- Commercial areas
- Financial institutions
- Airport Premises
- Business (Office) Centers
- Hotels
- Sport Complexes
- Urban areas
- Educational Institutions and others