

SPEEDBLADE-BM 900

Speedblade-BM 900 is a type of motorized turnstile featured with retractable flaps operation principle.

Telescopic mechanism provides an option of standard cabinet's sizes keeping instead of making it twice bigger, as commonly known solution to arrange passage for people with special needs (900 mm).

Housing materials and light weight cabinets' shape make Speedblade-BM 900 turnstile universal for large variety of facilities with heightened requirements to esthetic equipment appearance.

As well as other TISO speedgates, Speedblade-BM 900 has implemented anti-tailgating function. Turnstiles can be operated from remote control panel or via access control system.



MOTORIZED TURNSTILE FEATURED WITH RETRACTABLE TELESCOPIC LEAVES FOR 900mm PASSAGE WIDTH



Key advantages

- BMDrive® - Reliable mechanism with powerful BLDC gear motor ensures long term maintenance free operation;
- High speed of leaf opening / closing within 0.8 sec provides high flow rate;
- Robust locking system DeadLock® prevents manually opening of leaves in case of vandalism;
- The width of the turnstile passage has been increased to 900 mm;
- The smart self-diagnosing system of mechanism BMDrive® automatically analyzes the system, detects critical malfunctions, and records error log and warnings;
- The BMDrive® mechanism controller is equipped with an OLED display for easy setup and configuration without special programmers, also a full configuration and diagnostics is possible via a USB connector by using a service software for Windows OS;
- Digital control of force and leaf speed in combination with four safety sensors prevent a passing person from being struck by a leaf, even in case of an unauthorized passage;
- By use of artificial intelligence algorithms and large number of high-precision infrared access sensors, the SpeedBlade-BM 900 turnstile detects and alarms when two people try to pass by one card, pass in the wrong direction or pass without authorization;
- Sensor system allows detecting the passage of person with luggage, arranging a free exit without the need for identification;
- Elegant cabinets equipped with integrated LED lighting
 - DotLights® - LED lighting display showing access status
 - RFIDLights® - LED Light of card reader area
 - LeafLights® - LED lighting of leaves showing access status;
- Streamlined and elegant oval design;
- Retractable leaves made of tempered safety glass;
- Successful combination of affordable price and high quality;
- Customized surface finish and top lid;
- Low power consumption;
- Can be integrated with any type of access control systems;
- Wired remote control panel in standard kit;
- In case of power failure, leaves could be opened manually (fail-safe);

Options

- Any access control systems upon request (e.g. RFID / Proximity / BioMetric readers, coin acceptor, push button, barcode and QR-code reader)
- passage counter
- Card collector integration
- Sound alarm
- MP3 audio module with micro SD card
- Weather pack - IP 54
- Ramped base mobile platform



Technical Specifications:

<i>Model Speedblade-BM 900</i>	Stainless steel top with plastic inserts	With solid glass top
Unit width	290 mm	295 mm
Unit length	1000 mm	1005 mm
Unit height	995 mm	1000 mm
Passage width	900 mm	
Open or close speed	0,8 s	
Mechanism	BMDrive® servo-driven (BLDC)	
Locking system	DeadLock®	
Mean time to failure	MCBF 10 000 000 cycles	

Electrical Specifications:

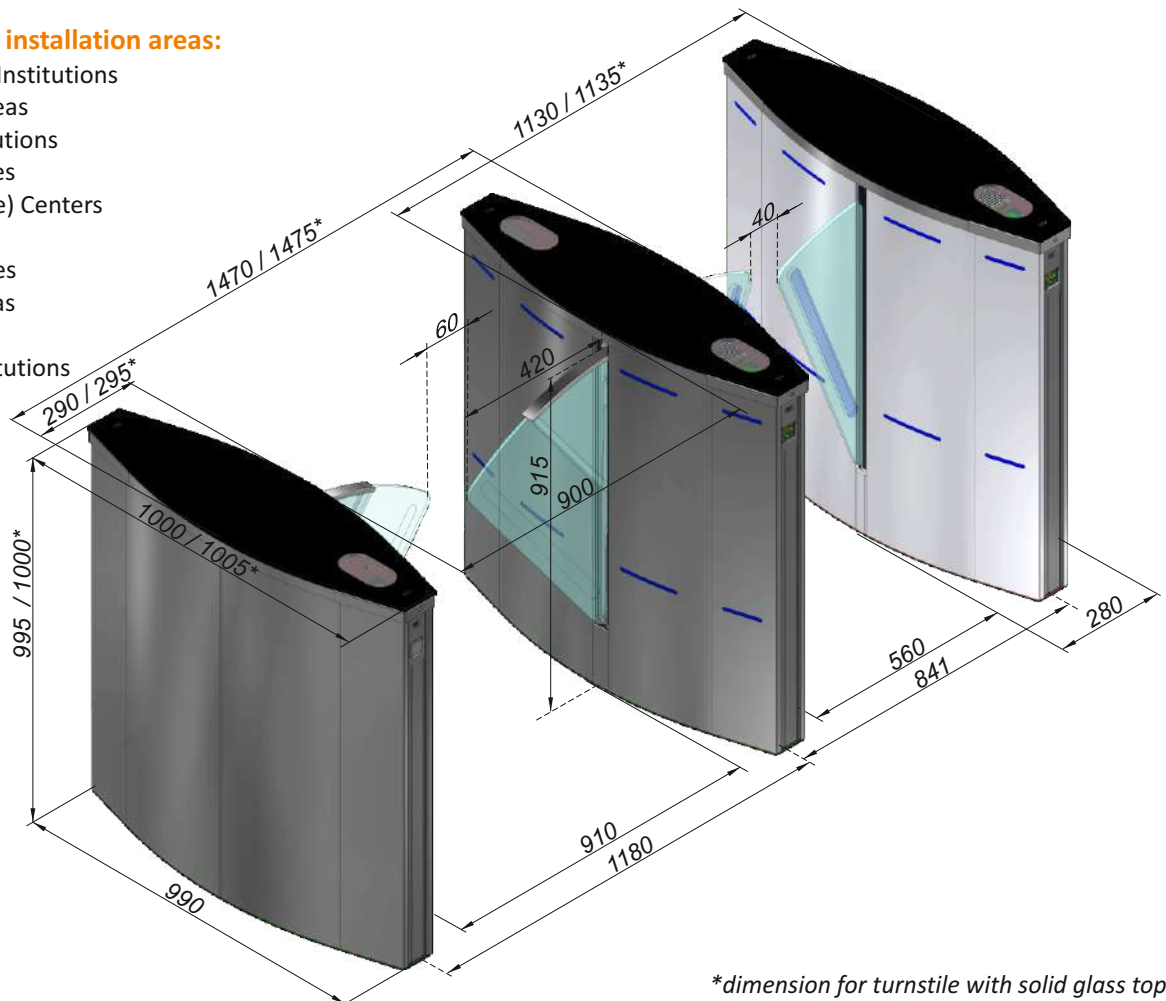
Maximum power consumption	160 W
Voltage	- from the AC (100-240)V, 50/60Hz - from a DC source 12 V
Indication	DotLights®, RFIDLights®, LeafLights®

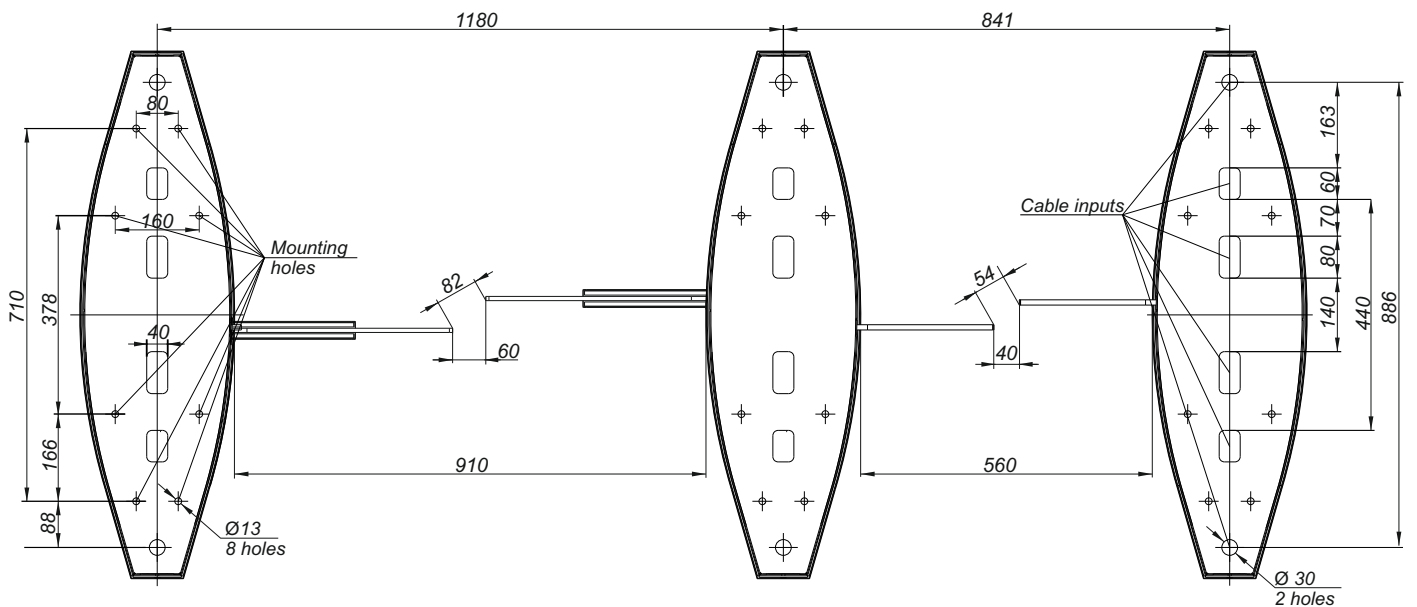
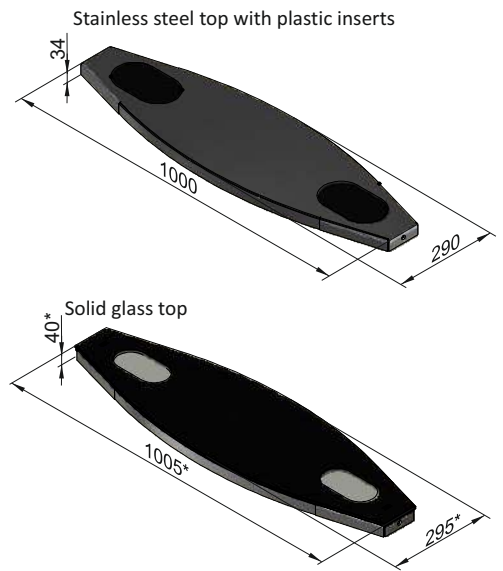
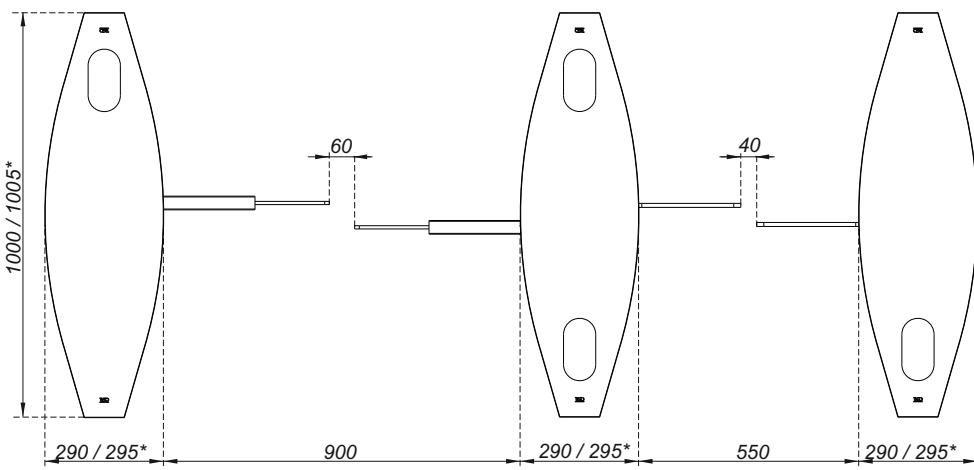
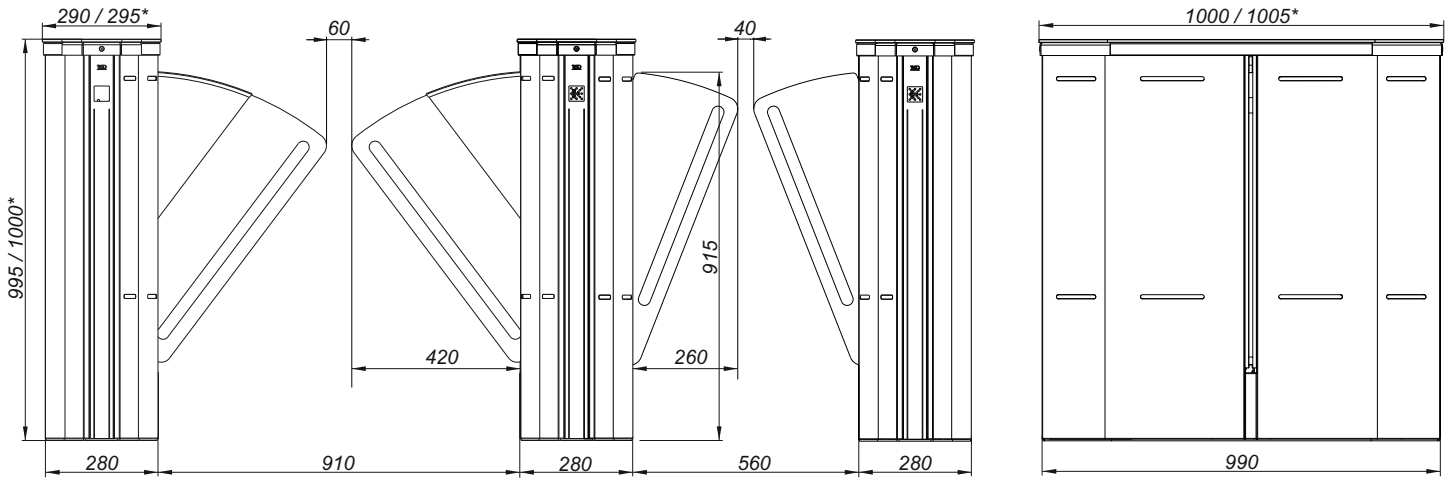
Materials:

Standard housing	Brushed SS AISI 304
Available housing	- Brushed SS AISI 316 - Polished SS AISI 304 - Polished SS AISI 316 - Powder coated RAL
Top lid	- Stainless steel top with plastic inserts - With solid glass top

Recommended installation areas:

- Governmental Institutions
- Commercial areas
- Financial institutions
- Airport Premises
- Business (Office) Centers
- Hotels
- Sport Complexes
- Recreation areas
- Urban areas
- Education Institutions and others





*dimension for turnstile with solid glass top

